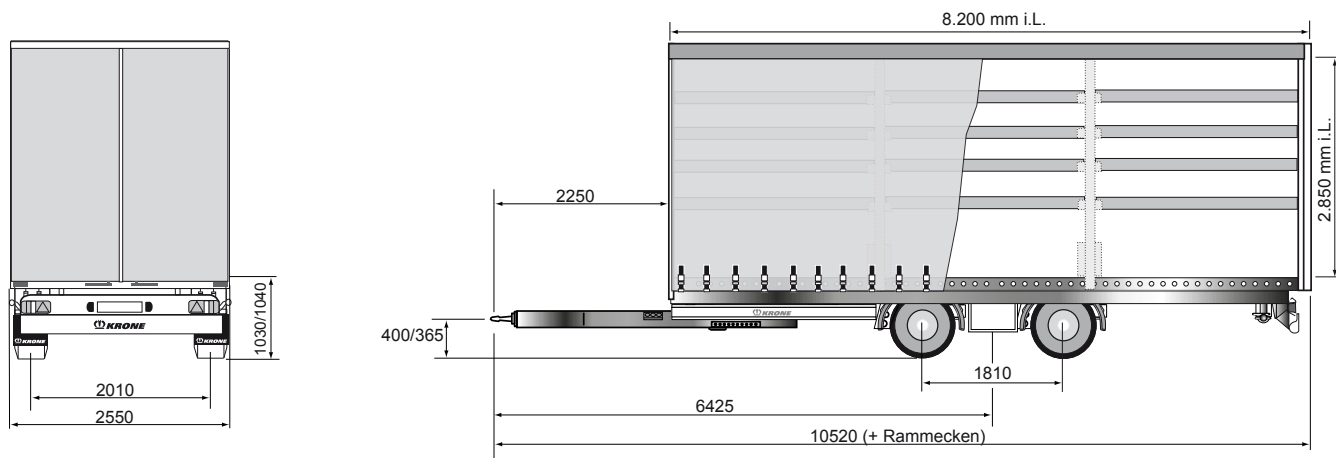


Mega Carrier (Central-axle)

» Type: ZPP 18 eLT4-CS



Central axle trailer, high volume, in curtainsider design



Technical data	Option	Option	Standard
Type:	ZPP 18 eLT4-CS	ZPP 18 eLT4-CS	ZPP 18 eLT4-CS
Axle load:	18.000 kg	18.000 kg	18.000 kg
Allowable gross weight:	18.000 kg	18.000 kg	18.000 kg
Tare weight approx.:	4.980 kg	5.160 kg	5.310 kg
Axle spread:	1.810 mm	1.810 mm	1.810 mm
Chassis height, unloaded:	1.030 mm	1.030 mm	1.030 mm
Traction bar length:	2.250 mm	2.250 mm	2.250 mm
Internal length:	7.300 mm	7.700 mm	8.200 mm
Internal width:	2.480 mm	2.480 mm	2.480 mm
Internal height:	2.850 mm	2.850 mm	2.850 mm
Total length (centre traction bar eye), approx.:	9.620 mm	10.020 mm	10.520 mm

(Dimensions and weights for standard units)

Technical description	
Multi Lock side rave including load securing positions every 100 mm	Alloy cant rail, continuous, for support of sliding curtain and posts, Edscha sliding roof; diagonal roof spanning; 5 sets of alloy planks
Traction bar with bolt-on 50 mm towing eye; front support with crank, rear 2 folding support feet	Front wall with solid corner posts; front wall reinforced with plywood inner skin
Low-maintenance axles with air suspension and disc brakes (370 mm); including raise and lower valve, 1 valve	Container rear doors including bolted steel frame, integrated double door locks and concealed door hinges; roof header hinged and movable; clamping device for tarpaulin with ratchet at the rear frame
Tyres: 4 x 445/45 R 19.5, brand: Krone choice	2 pairs of side posts, oppositely positioned; plank pockets for posts
Spare wheel carrier as an option	Delta shaped rubber profiles at rear; delta steel buffers at rear; load security certificate according EN 12642 Code XL
Wheel covering according to EC-regulations; Spray suppression according to EC-guidelines	1 PVC curtain with full lengths vertical reinforcements, top with rollers for sliding curtains, bottom with tensioners, curtain tensioner out of stainless steel; roof tarpaulin in white
Brake system according to EC-regulation 13; with electronic stability system spring parking brake; EBS-braking system, 2S/2M, 2 sensors on 1 axle; Diagnostics by ISO7638 plug connection (EBS supply cable)	Steel parts shot blasted, with KTL primer and high-quality surface coating (standard painting single-colour); axles incl. wheel hubs painted black; under-run protection and light panel coated white for safety reasons; wheels silver with high-quality paint finish; reflective outline marking according to ECE-R48
Lights according to UN ECE reg. no. 48; 24 volts lighting system with 2 x 7-pin socket DIN ISO 1185/3731; front and rear marker lights; two multi-function rear lights incl. rear fog light and reversing lights; contouring lights, number plate lights and side marker lights in LED	
incl. pneumatic and electrical connection lines to the motor vehicle	
30 mm thick, phenolic coated plywood floor, cut surfaces fully waterproofed and sealed. Strength acc. to DIN EN 283; for floor loadings up to 5,460 kg stacker-truck axle load	



Fahrzeugwerk Bernard KRONE GmbH & Co. KG
 Bernard-Krone-Straße 1, 49757 Werlte, GERMANY
 Phone: +49 (0) 5951 209-0, Fax: +49 (0) 5951 209-98-268

Subject to modifications!
 VF/Beu issue 04/2020