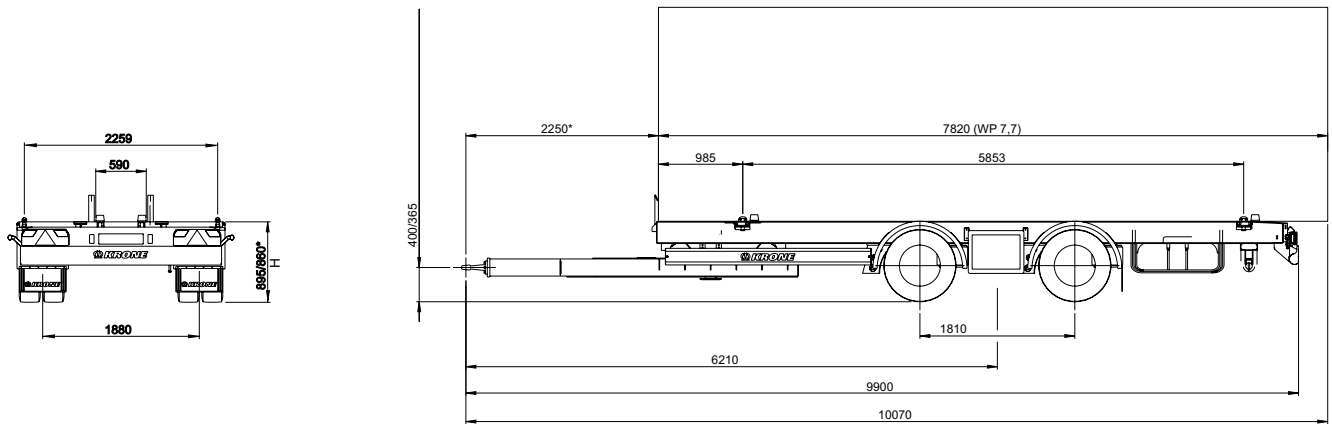


Mega Box Carrier Central axle

» Type: ZZW 18 zLTE5



Chassis for transporting swap bodies, according to DIN EN 284, size C715, C745 (with additional stop also C782) and containers according to ISO 668/1496, size 20'



Height H (in mm)

Aggre-gat-type	Tyres	Driving position		unloaded lowered	loaded lifted
		unloa- ded	loaded		
BPW	235/75 R 17.5	940	905	880	1,100
SAF	235/75 R 17.5	940	905	875	1,105
BPW	245/70 R 17.5	940	905	880	1,100
SAF	245/70 R 17.5	940	905	875	1,105
BPW	245/70 R 19.5	940	905	875	1,105
SAF	245/70 R 19.5	940	905	875	1,105
BPW	265/70 R 19.5	950	915	885	1,115
SAF	265/70 R 19.5	950	915	885	1,115

Technical data

Type:	ZZW 18 zLTE5
Allowable gross weight:	18.000 kg
Tare weight, approx.:	3.470 kg
Payload (without swap body):	14.530 kg
Axle spread distance:	1.810 mm
Total length (centre draw bar eye), approx.:	9.385 mm
Draw bar length:	2.250 mm
Distance between container lockings:	5.853 mm
Distance front stop to first locking:	985 mm
Landing height:	920 - 1.070 mm

(Dimensions and weights for standard units)

Technical description

Welded construction with front draw bar ; 4 container lockings on 20' basis; removable tunnel central rollers, according to „BDF-Lastenheft“; Protection at rear with large rubber buffer; Rear bumper and side guard according to EC-regulation

Stop at front for swap body 7,7 N; Length of chassis designed for swap body 7,3 flush with rear

Front support with crank and gear; at rear: 2 galvanized landing legs, foldable and height adjustable

Draw bar with bolted 50 mm towing eye; for coupling height (unloaded): 400 mm

Low-maintenance axles with air suspension and drum brakes (300 x 200 mm for 17.5" rim); including raise and lower valve, 2 valves, total hub 260 mm; rims centre nave

Tyre: 8 x 235/75 R 17.5, brand Krone choice

Spare wheel carrier as an option

Black plastic half shells, with dirt trap at rear; Spray suppression according to EC guideline

Brake system according to EC-regulation 13; with electronic stability system spring parking brake; EBS-braking system, 2S/2M, 2 sensors on 1 axle; Diagnostics by ISO7638 plug connection (EBS supply cable)

Lights according to UN ECE reg. no. 48; 24 volts lighting system with 2 x 7-pin socket DIN ISO 1185/3731; front and rear marker lights; two multi-function rear lights incl. rear fog light and reversing lights; contouring lights, number plate lights and side marker lights in LED

incl. pneumatic and electrical connection lines to the motor vehicle

Steel parts shot blasted, with KTL primer and high-quality surface coating (standard painting single-colour); axles incl. wheel hubs painted black; underrun protection and light panel coated white for safety reasons; wheels silver with high-quality paint finish; reflective line marking according to ECE-R48

